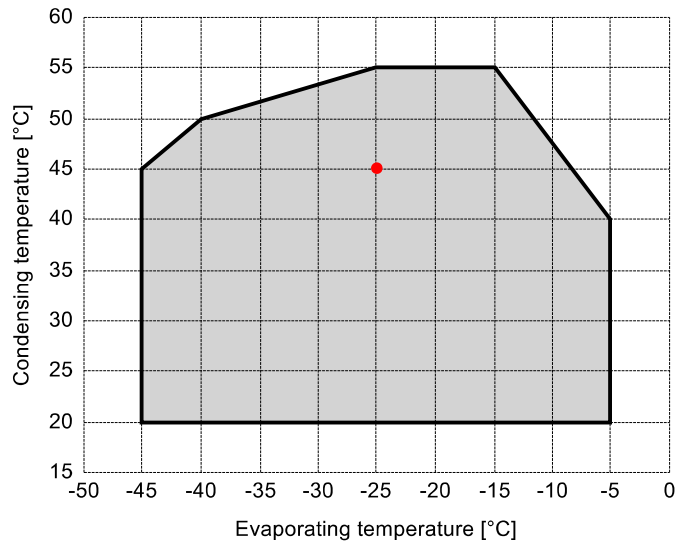


Input data

Refrigerant	R404A	
Reference temperature	Dew point temperature	
Calculation mode	Refrigeration / Air Cond.	
Operating mode	Subcritical	
Power supply	400/3/50	
Condensing temperature	°C	45
Condensing pressure	bar	20,47
Liquid subcooling	K	0
Liquid temperature	°C	44,67
Evaporating temperature	°C	-25
Evaporating pressure	bar	2,5
Suction gas superheating	K	10
Useful fraction of superheating	%	100



Output data

Compressor :	Q5-33.1Y	
Number of compressors :	FSx1	
Refrigerating capacity	kW	7,36
Refrigerating capacity [*ref]	kW	8,379
Evaporator capacity	kW	7,36
Power input	W	5659
Condenser capacity, theor.	kW	13,019
Current	A	9,36
COP/EER	W/W	1,3
Mass flow	kg/h	286
Operating frequency	Hz	50
Connection	-	DOL-STAR
Operating mode	-	100%
Discharge temperature	°C	83,72
Ratio (%)	%	100,0%
Note	-	
Oil flow	l/min	-
Heat Exchanged (oil Cooler)	kW	-
Oil Temp. at Oil Cooler Outlet	°C	-
Certified by	-	ASERCOM

Certified by:

- ASERCOM (ref. EN12900, 50 Hz, 100% cap.)



Legend:

- *ref: At conditions according to EN12900
- Suction gas temperature = 20 °C
- Liquid subcooling = 0 K

All data subject to change without notice

Model: Q5-33.1Y

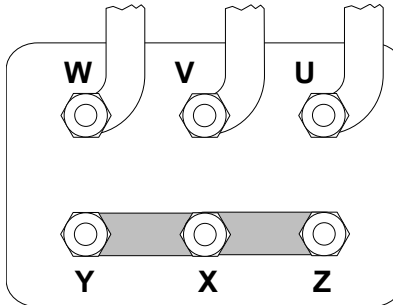
Refrigerant: R404A

Power supply: 400/3/50 DOL-STAR

Technical data:

Displacement	32,66 m³/h
Nominal compressor speed	1450 rpm
Motor voltage	400 V
Nominal operating frequency	50 Hz
maximum allowed operating current (MRA)	14,4 A
locked rotor current (LRA)	63,1 A
Number of pistons	4
Net weight	79 kg
Lubricant	FRASCOLD POE32
Oil charge	1,6 l

Motor connections:



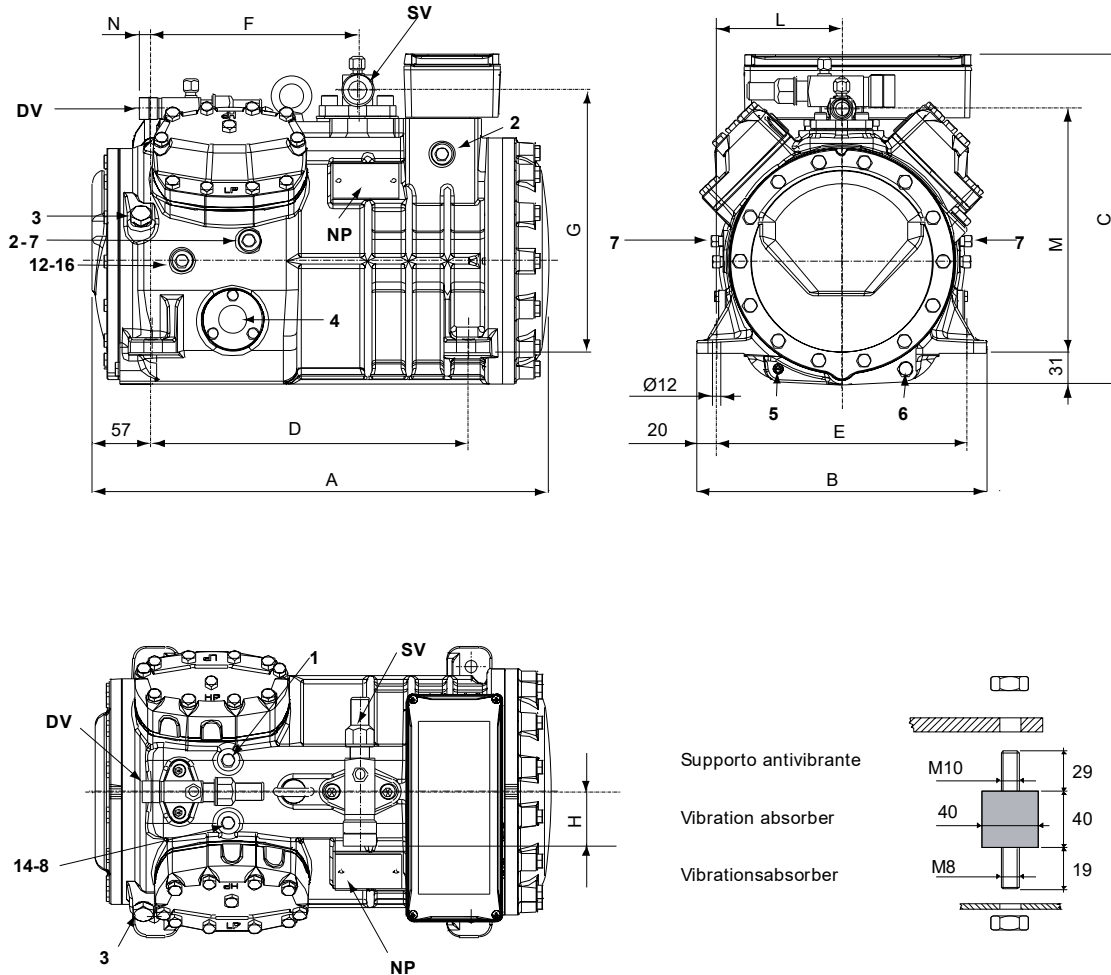
All data subject to change without notice

Model: Q5-33.1Y

Refrigerant: R404A

Power supply: 400/3/50 DOL-STAR

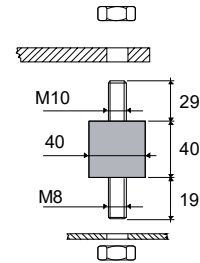
Dimensions:



Supporto antivibrante

Vibration absorber

Vibrationsabsorber



Legend:

SV: Suction Valve	1 3/8" in - 35 mm	1: High pressure connection	1/8" NPT
DV: Discharge valve	1 1/8" in - 28,575 mm	2: Low pressure connection	1/8" NPT
A: Length	449 mm	3: Oil charge plug	1/4" GAS
B: Width	286 mm	4: Oil level sight glass	-
C: Height	328 mm	5: Crankcase heater seat	-
D: Base mounting	312 mm	6: Oil drain plug	M8 x 22
E: Base mounting	246 mm	7: Liquid injection plug	1/8" NPT
F: Suction Valve	203 mm	8: Liquid injection sensor plug	1/8" NPT
G: Suction Valve	261 mm	12: Oil return plug	1/8" NPT
H: Suction Valve	58 mm	14: Max discharge temperature sensor connection	1/8" NPT
L: Discharge valve	123 mm	16: Crankcase pressure plug	1/8" NPT
M: Discharge valve	239 mm	NP: Nameplate	
N: Discharge valve	28 mm		

All data subject to change without notice